

**HIGH VOLTAGE COPPER THROUGH CONNECTORS
MT-TD and MT-GC SERIES
for copper conductors**



Description:

- MT-TD and MT-GC series Cembre connectors are designed to join conductors in high voltage applications up to 33 kV.
- MT-GC series feature a solid stop which forms a barrier between the two conductors being joined, this prevents the migration of oils or greases, which may be present, in one cable contaminating the other cable.
- MT-TD series are unblocked and are suitable for joining cables of the same type.
- Are manufactured from electrolytic copper tube Cu-OF CW008A conform to UNI EN 13600:2003.
- Cembre connectors are electrolytically tin plated with a minimum thickness of 3µm to avoid oxidation.
- Cembre connectors are annealed to guarantee optimum ductility which is an absolute necessity for connectors which will have to withstand the severe deformation arising when compressed and any bending of the palm during installation.
- MT-TD and MT-GC series connectors are available also for joining cables of different cross sectional area.

Cembre SpA

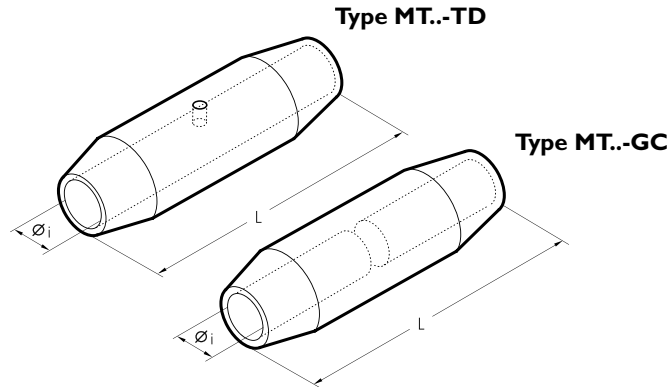
Via Serenissima, 9 - 25135 Brescia (Italy)

Tel.: +39 030 36921 - Fax: +39 030 3365766

Web: www.cembre.com - Email: info@cembre.com

HIGH VOLTAGE COPPER THROUGH CONNECTORS MT-TD and MT-GC SERIES for copper conductors

Sections and Dimensions:



Conductor Size (sqmm) & Format	Ref.	Ref.	Dimensions mm		Quantity Box/Bag
			Øi	L	
25 R/BR/BS*	MT 25-TD	MT 25-GC	6,8	60	90/3
30 RC/S ÷ 40 S	MT 40 S-TD	MT 40 S-GC	8,2	60	90/3
30 BR/BS*	MT 35-TD	MT 35-GC	8,2	60	90/3
50 RC	MT 50 R-TD	MT 50 R-GC	8,7	60	90/3
50 S	MT 50 S-TD	MT 50 S-GC	9,5	60	90/3
50 BR/BS*	MT 50-TD	MT 50-GC	9,5	60	90/3
63 S ÷ 70 S	MT 70 S-TD	MT 70 S-GC	11,0	70	30/3
70 BR/BS*	MT 70-TD	MT 70-GC	11,0	70	30/3
80 S ÷ 95 RC	MT 95 R-TD	MT 95 R-GC	12,0	80	30/3
95 S ÷ 100 S	MT 95 S-TD	MT 95 S-GC	13,5	80	30/3
95 BR/BS*	MT 95-TD	MT 95-GC	13,5	80	30/3
120 RC/S ÷ 150 RC	MT 150 R-TD	MT 150 R-GC	15,0	80	30/3
120 BR/BS*	MT 120-TD	MT 120-GC	15,0	80	30/3
150 S ÷ 160 RC	MT 150 S-TD	MT 150 S-GC	16,5	80	30/3
150 BR/BS*	MT 150-TD	MT 150-GC	16,5	80	30/3
160 S ÷ 200 RC	MT 200 R-TD	MT 200 R-GC	17,0	100	30/3
185 BR/BS*	MT 185-TD	MT 185-GC	18,0	100	30/3
200 S ÷ 240 RC	MT 240 R-TD	MT 240 R-GC	19,2	100	30/3
240 S ÷ 315 RC	MT 315 R-TD	MT 315 R-GC	21,5	100	30/3
240 BR/BS*	MT 240-TD	MT 240-GC	20,5	100	30/3
300 BR/BS*	MT 300-TD	MT 300-GC	23,0	100	30/3
315 S	MT 315 S-TD	MT 315 S-GC	23,7	100	30/3
400 BR/BS*	MT 400-TD	MT 400-GC	27,0	120	15/3
500 R	MT 500-TD		30,3	118	15/3
600 R ÷ 630 R	MT 630-TD		33,4	130	9/3

Conductor Format:

R = Round,

RC = Round Compact,

S = Sector,

BR = IEC228 (BS6360) Round,

BS* = IEC228 (BS6360) Sector

* = Pre-rounding required, consult Cembre for appropriate die set

Cembre SpA

Via Serenissima, 9 - 25135 Brescia (Italy)

Tel.: +39 030 36921 - Fax: +39 030 3365766

Web: www.cembre.com - Email: info@cembre.com